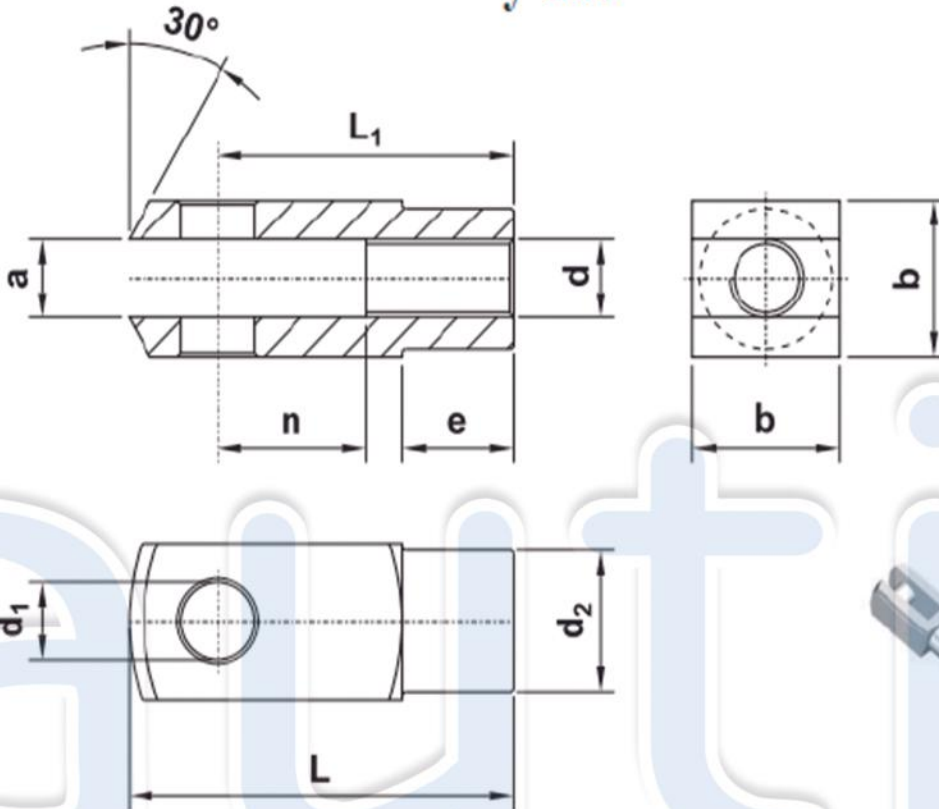


Horquilla

Medidas de: 12, 16, 20, 25, 32, 40, 50, 63, 80, 100, 125, 160
y 200



sigla part number	per alesaggi for bores	d	a	b	d ₁	d ₂	e	L	L ₁	n	fornita con it is supplied with
FR8C10	8-10	M4x0.7	4	8	ø4	ø8	6	21	16	8	clip
FR12C16	12-16	M6x1	6	12	ø6	ø10	9	31	24	12	clip
FRC20	20	M8x1.25	8	16	ø8	ø14	12	42	32	16	clip
FR25C32	25-32	M10x1.25	10	20	ø10	ø18	15	52	40	20	clip
FRC40	40	M12x1.25	12	24	ø12	ø20	18	62	48	24	clip
FR50C63	50-63	M16x1.5	16	32	ø16	ø26	24	83	64	32	clip
FR80C100	80-100	M20x1.5	20	40	ø20	ø34	30	105	80	40	clip
FRC125	125	M27x2	30	55	ø30	ø48	38	148	110	54	perno [pin]
FR160C200	160-200	M36x2	35	70	ø35	ø60	40	188	144	72	perno [pin]

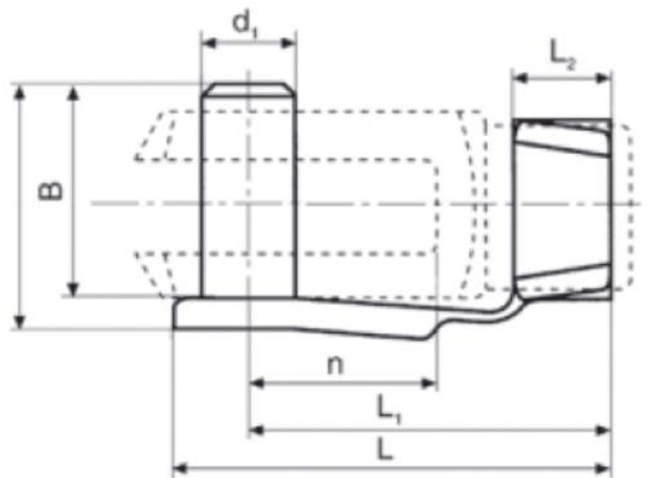


contacto@autic.com.mx

(01 33) 3651-4699

(01 33) 3609-8973

(01 33) 3152-0298



usata per forcella <i>it is used for fork</i>	d_1	n	A	B	L	L_1	L_2
M4x0.7	4	8	11	9	19	15	5
M6x1	6	12	16	14	28	23	6
M8x1.25	8	16	22	19	37	31	8
M10x1.25	10	20	26	23	46	39	10
M12x1.25	12	24	32	28	55	47	12
M16x1.5	16	32	40	36	72	62	14
M20x1.5	20	40	48	44	88	72	16



contacto@autic.com.mx

(01 33) 3651-4699

(01 33) 3609-8973

(01 33) 3152-0298